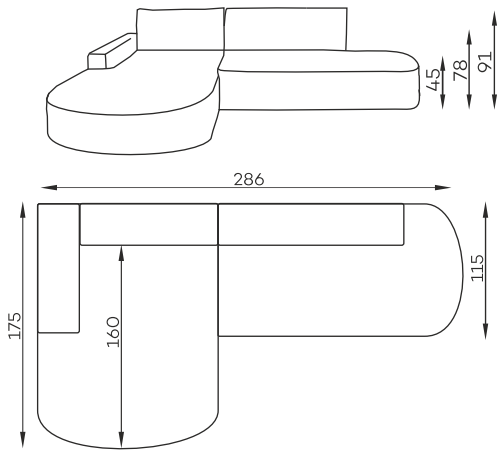


ARIOLA

Technical Sheet

Set 1



Collies

Dimensions tolerance of upholstered furniture +/- 4 cm.

Weight	kg net	kg gross	m3	L	S	H
collie 1	59	62	1,37	170	118	63
collie 2	51	54	1,52	180	124	68

Construction of the furniture

SEAT

Main structure, frame:

softwood wood frame

Additional construction elements:

chipboard, softwood

Springs:

Zig Zag spring (A)

foam:

T30 foam

BACKREST

Main structure :

chipboard

Additional construction elements:

none

Springs:

bonell spring 10cm

foam:

T30 foam

LEGS

Black plastic f150 h45mm

CUSHIONS

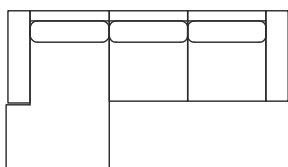
Filled with:

with a mixed foam granulate
a mixture of polyurethane foam
and silicone granulate

Filled with:

with a mixed foam granulate
a mixture of polyurethane foam
and silicone granulate

Left side



Right side

