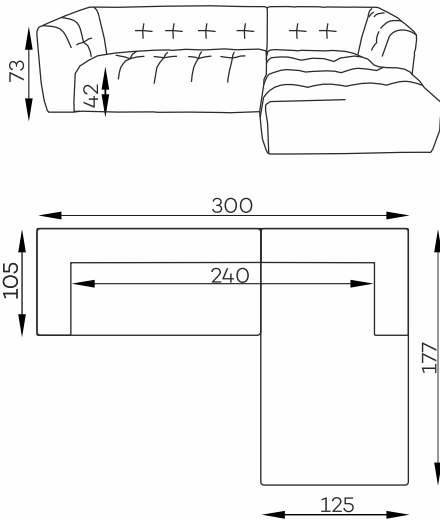




BELICE

Technical Sheet



Dimensions tolerance of upholstered furniture +/- 4 cm.

Collies

Weight	kg net	kg gross	m3	L	S	H	FULL TRUCK 120	FULL TRUCK 90	40HC
collie 1	58,5	61,5	1,45	75	106	182	30	23	21
collie 2	66,5	70	1,78	75	130	182			

Construction of the furniture

SEAT

Main structure, frame:

beech wood frame

Additional construction elements:

chipboard, softwood

Springs:

Zig Zag spring (A)

foam:

N30 foam

BACKREST

Main structure :

chipboard, softwood

Additional construction elements:

fiberboard, upholstery straps

Springs:

none

foam:

N 21 foam

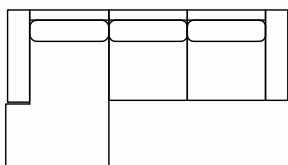
LEGS

Black Plastic fi 50 h 30mm

CUSHIONS

none

Left side



Right side

