

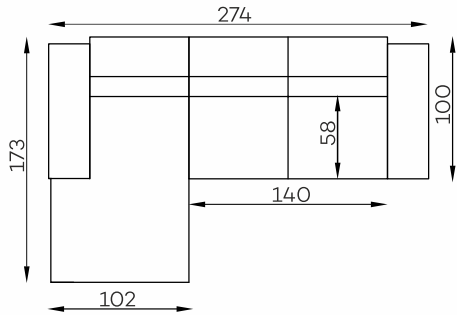
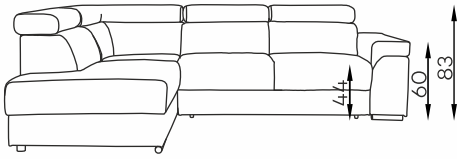


# CARLO

## Technical Sheet

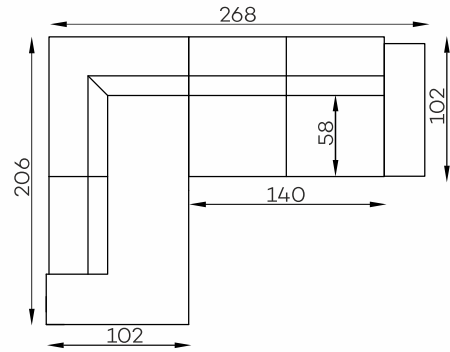
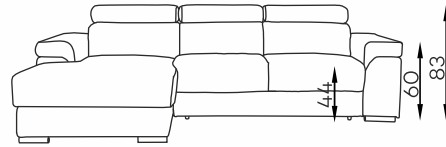
### Carlo S

Sleeping Function -212x125cm



### Carlo L

Sleeping Function -195x125cm



### Collies

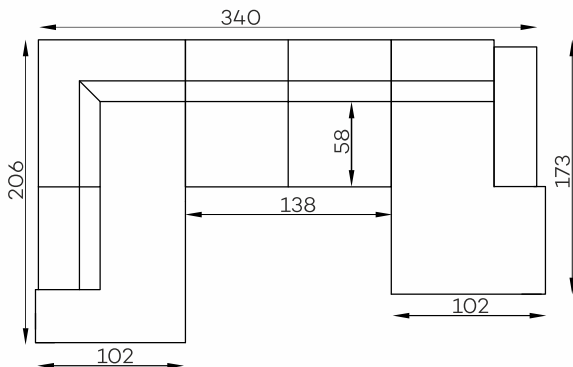
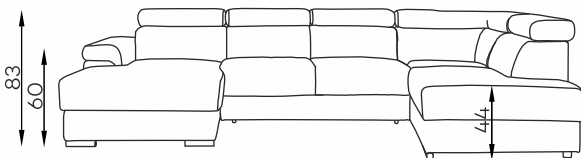
Dimensions tolerance of upholstered furniture +/- 4 cm.

Weight	kg net	kg gross	m3	L	S	H	FULL TRUCK 120	FULL TRUCK 90	40HC
collie 1	65	68	1,29	83	101	156	34	25	23
collie 2	50	53	1,29	83	102	169			
collie 3	25	26	0,36	58	62	100			

Weight	kg net	kg gross	m3	L	S	H	FULL TRUCK 120	FULL TRUCK 90	40HC
collie 1	70	72	1,53	102	88	170	29	22	20
collie 2	78	80	1,83	100	88	208			
collie 3									

### Carlo U

Sleeping Function -267x125cm



Weight	kg net	kg gross	m3	L	S	H	FULL TRUCK 120	FULL TRUCK 90	40HC
collie 1	71	74	1,45	83	101	173	21	16	15
collie 2	72	76	1,76	85	101	205			
collie 3	50	53	1,45	86	100	169			

# Construction of the furniture

---

## SEAT

### Main structure, frame:

beech wood frame

### Additional construction elements:

chipboard, softwood

### Springs:

Zig Zag spring typ B

### foam:

T30 foam

## LEGS

Chrome steel L=210/180 h45mm

### LEGS container

Black plastic h45mm

## BACKREST

### Main structure :

chipboard, MDF, softwood

### Additional construction elements:

upholstery straps

### foam:

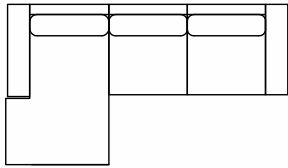
T25 foam

### Adjustable headrests

S/L:3pieces, U: 4pieces

---

Left side



Right side

