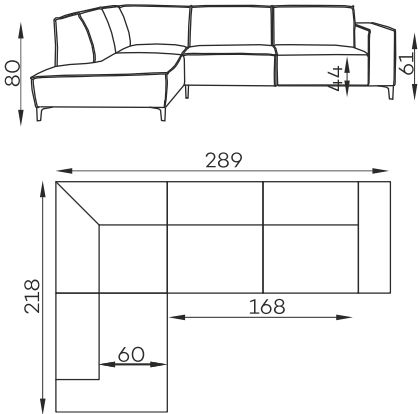


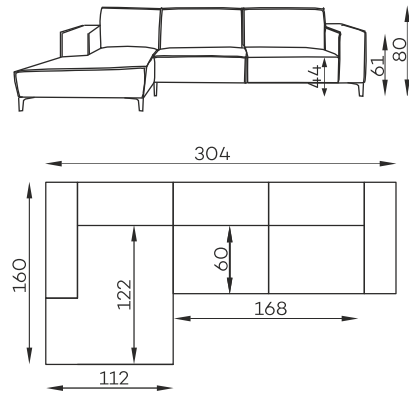
TRIVENTO

Technical Sheet

Set 2



Set 3



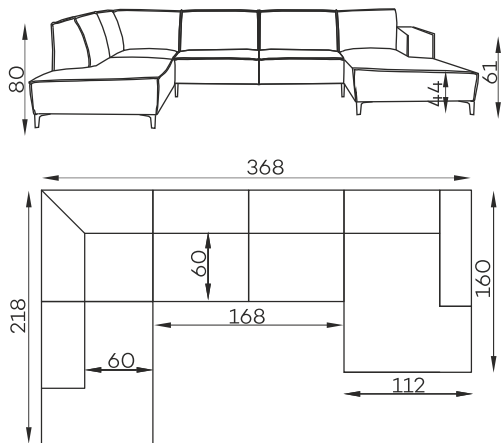
Collies

Dimensions tolerance of upholstered furniture +/- 4 cm.

Weight	kg net	kg groos	m3	L	S	H	FULL TRUCK 120	FULL TRUCK 90	40HC'
collie 1	55	58	1,2	71	90	187	38	29	27
collie 2	56,5	59,5	1,4	71	90	217			

Weight	kg net	kg groos	m3	L	S	H	FULL TRUCK 120	FULL TRUCK 90	40HC'
collie 1	55	58	1,2	71	90	187	38	29	27
collie 2	50	53	1,37	71	115	168			

Set 4



Weight	kg net	kg groos	m3	L	S	H	FULL TRUCK 120	FULL TRUCK 90	40HC'
collie 1	41	44	1,04	71	90	162	26	19	18
collie 2	56,5	59,5	1,4	71	90	217			
collie 3	50	53	1,37	71	115	168			

Construction of the furniture

SEAT

Main structure, frame:

softwood wood frame

Additional construction elements:

chipboard, softwood

Springs:

Zig Zag spring (A)

foam:

T30 foam

BACKREST

Main structure :

chipboard

Additional construction elements:

none

Springs:

bonell spring 10cm

foam:

T30 foam

LEGS

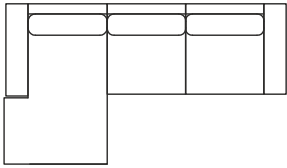
Black plastic f50 h45mm

CUSHIONS

Filled with:

with a mixed foam granulate
a mixture of polyurethane foam
and silicone granulate

Left side



Right side

